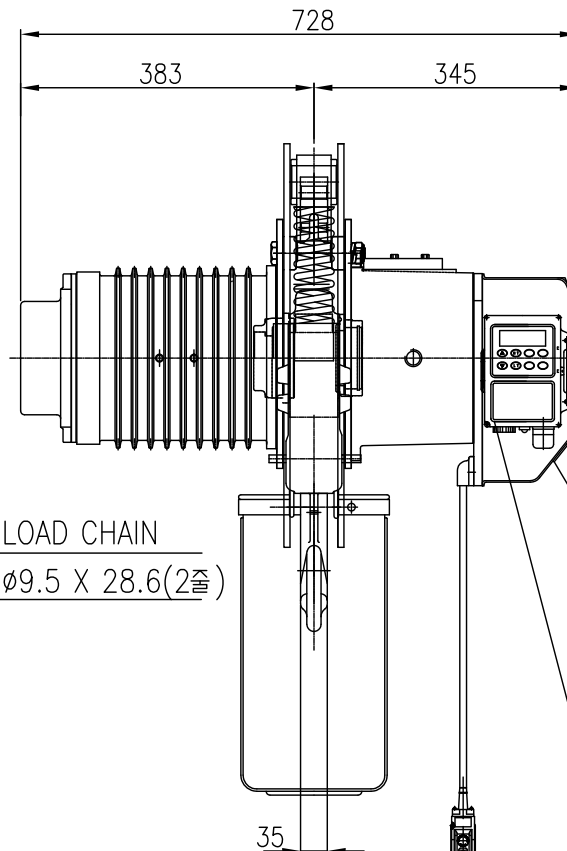
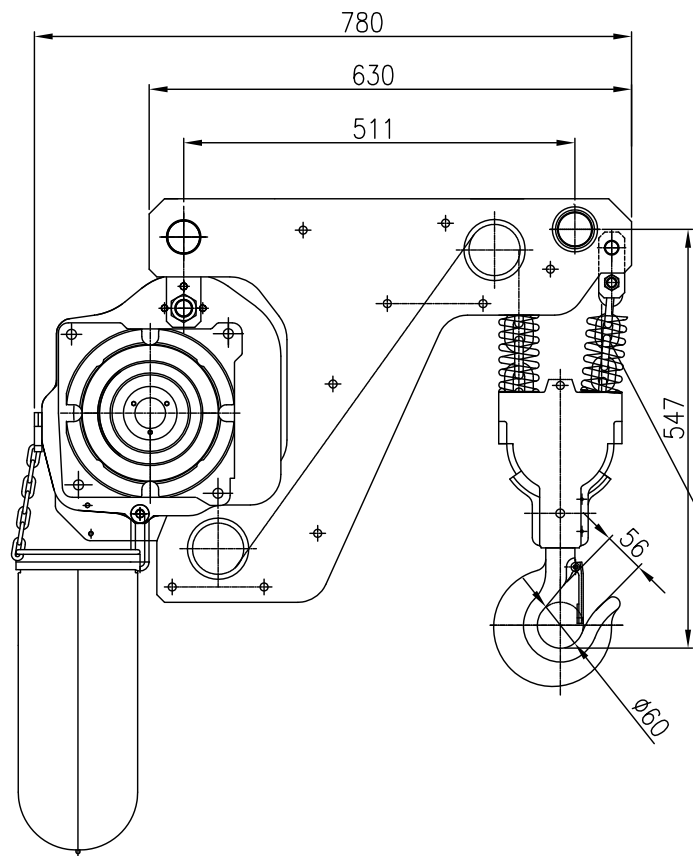


L K HOIST

ON ㉠

NO	DESCRIPTION	SIZE	MAT' L	Q' TY	WT (kg)	REMARKS



LOAD CHAIN
 $\phi 9.5 \times 28.6$ (2중)

NAME PLATE

		LK-SHDB-3W
RATED LOAD	(TON)	3.0
TESTING LOAD	(TON)	3.75
LIFTING HEIGHT	(M)	50
HOISTING	SPEED (M/MIN)	5.15/1.7
	MOTOR (KW)	4.4/2.2kw x 2/6p
TRAVERSING	SPEED (M/MIN)	-
	MOTOR (KW)	-
POWER SUPPLY	AC220.380.440.460.480Vx3 ϕ x 60 Hz	
OPERATING METHOD	P.B type ON . FL	
LOAD CHAIN	$\phi 9.5 \times 28.6$ (2FALL)	
WEIGHT	(KG)	367

인증 마크

LOAD LIMITER

PUSH BUTTON

TITLE				PROJECTION	
LK-SHDB-3W ELECTRIC CHAIN HOIST					
WORK NO	WORK NAME			SCALE	Q' TY
				N S	1
DRAWN	CHECKED	REVIEWED	APPROVED	DRAWING NO	
KIM CH KI					
2014.02.25					

REV.NO	DATE	REVISION	DESCRIPTION	DRAWN	CHECKED	APPROVED

LK L K HOIST CO., LTD.