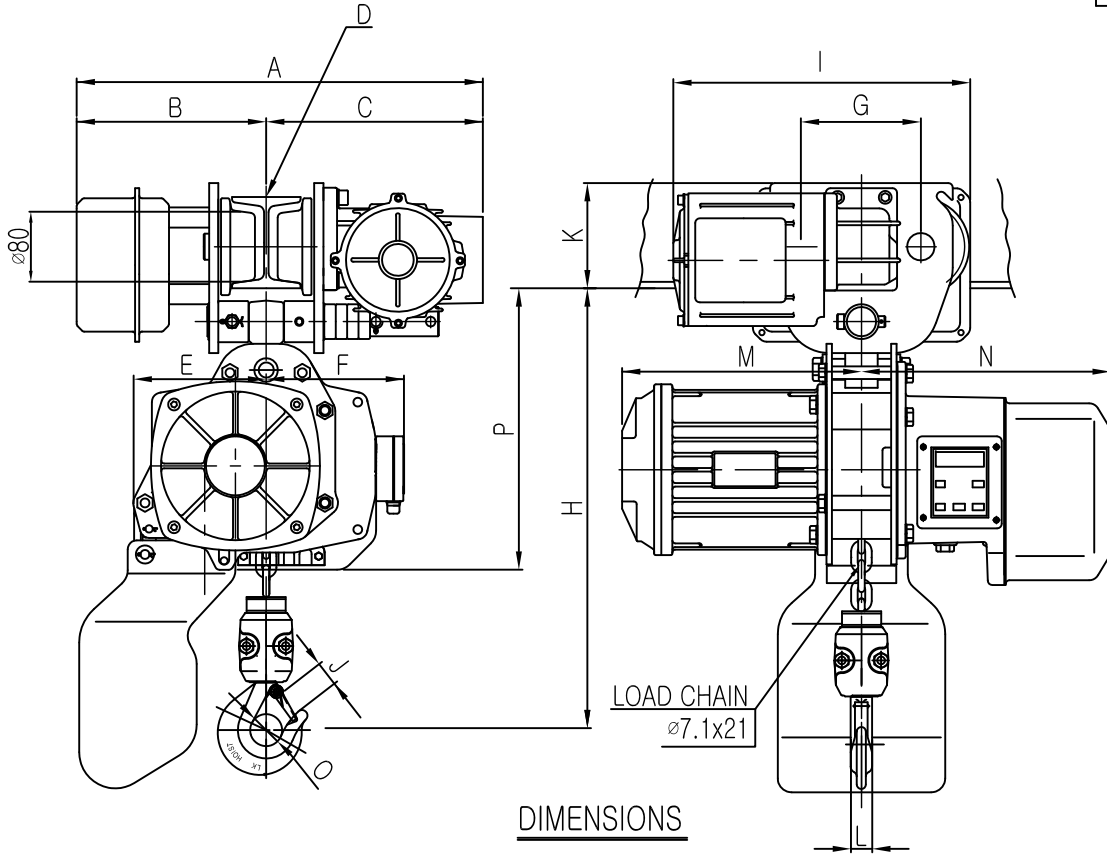


L K HOIST

ON ㉔MD

NO	DESCRIPTION	SIZE	MAT' L	Q' TY	WT (kg)	REMARKS



DIMENSIONS

SPECIFICATION

		LDSM-1S	
RATED LOAD	(TON)	1.0	
TESTING LOAD	(TON)	1.25	
LIFTING HEIGHT	(M)	50	
HOISTING	SPEED (M/MIN)	8.2	5.4
	MOTOR (KW)	1.8kw x 4p	1.2kw x 6p
TRAVERSING	SPEED (M/MIN)	18.8	9.23
	MOTOR (KW)	0.3kw x 2p	0.2kw x 4p
POWER SUPPLY		AC220.380.440.460,480Vx3φ x 60 Hz	
OPERATING METHOD		P.B type ON . FL	
LOAD CHAIN		φ7.1 X 21(1FALL)	
WEIGHT	(KG)	130	
I-BEAM 적용폭		75 ~ 175MM	

NOTE)

- 1) 점검 설비를 갖출 것
- 2) 인허가 서류를 완성검사시 제출 할 것

MODEL	A	B	C	D	E	F	G	H	I	J	K	L	M	N	O	P
LDSM-1S	449	207	242	75~175	145	191	130	446±21	370	25	110	24	262	273	35	342

적용 I-BEAM)

- 1) I- 150 X75 X5.5/9.5 - 2.8M
- 2) I- 200 X100 X7/10 - 4.5M
- 3) I- 250 X125 X7.5/12.5 - 6.5M
- 4) I- 300 X150 X10/18.5 - 9.5M
- 5) I- 450 X175 X13/26 - 15M

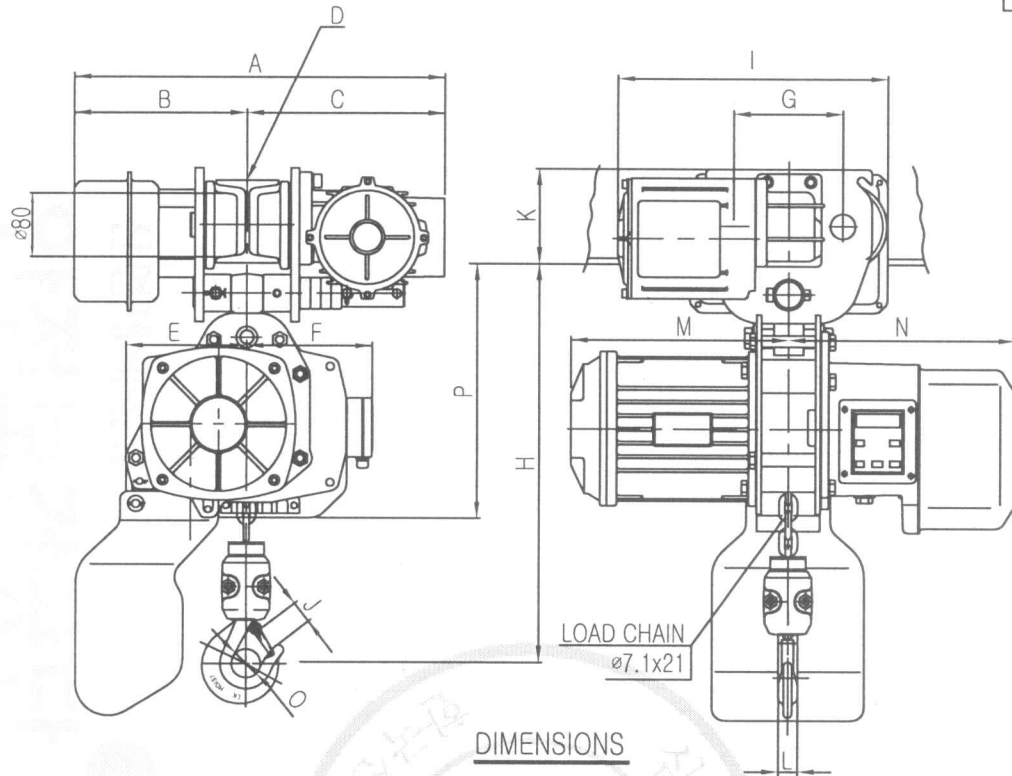
REV.NO	DATE	REVISION	DESCRIPTION	DRAWN	CHECKED	APPROVED

TITLE					PROJECTION	
CHAIN HOIST LDSM-1S						
WORK NO	WORK NAME				SCALE	Q' TY
					N S	1
DRAWN	CHECKED	REVIEWED	APPROVED	DRAWING NO		
김 창 기						
2010.07.15						
L K HOIST CO., LTD.						

ON 5MD

L K HOIST

NO	DESCRIPTION	SIZE	MAT' L	Q' TY	WT (kg)	REMARKS



제조일 : 0000-00-00
 형식번호 : 00-000-00
 정격하중 : 00-000-00
 제조자 : (주)LK

SPECIFICATION

		LDSM-1S		
RATED LOAD	(TON)	1.0		
TESTING LOAD	(TON)	1.25		
LIFTING HEIGHT	(M)	50		
HOISTING	SPEED (M/MIN)	8.2	5.4	
	MOTOR (KW)	1.8kw x 4p		1.2kw x 6p
TRAVERSING	SPEED (M/MIN)	18.8	9.23	18.8/4.6
	MOTOR (KW)	0.3kw x 2p	0.2kw x 4p	0.3/0.15kw x 2/8p
POWER SUPPLY	AC220.380.440.460.480Vx3φ x 60 Hz			
OPERATING METHOD	P.B type ON . FL			
LOAD CHAIN	φ7.1 X 21(1FALL)			
WEIGHT	(KG)	130		
I-BEAM 적용폭	75 ~ 175MM			

DIMENSIONS

MODEL	A	B	C	D	E	F	G	H	I	J	K	L	M	N	O	P
LDSM-1S	449	207	242	75~175	145	191	130	446±21	370	25	110	24	262	273	35	342

적용 I-BEAM)

- 1) I- 150 X75 X5.5/9.5 - 2.8M
- 2) I- 200 X100 X7/10 - 4.5M
- 3) I- 250 X125 X7.5/12.5 - 6.5M
- 4) I- 300 X150 X10/18.5 - 9.5M
- 5) I- 450 X175 X13/26 - 15M

REV.NO	DATE	REVISION	DESCRIPTION	DRAWN	CHECKED	APPROVED

NOTE)

- 1) 점검 설비를 갖출 것
- 2) 인허가 서류를 완성검사시 제출 할 것

TITLE				PROJECTION	
CHAIN HOIST LDSM-1S					
WORK NO	WORK NAME			SCALE	Q' TY
				N S	1
DRAWN	CHECKED	REVIEWED	APPROVED	DRAWING NO	
김창기					
2010.07.15					
L K HOIST CO., LTD.					

물범복제 및 배포금지