

ON ㉠D

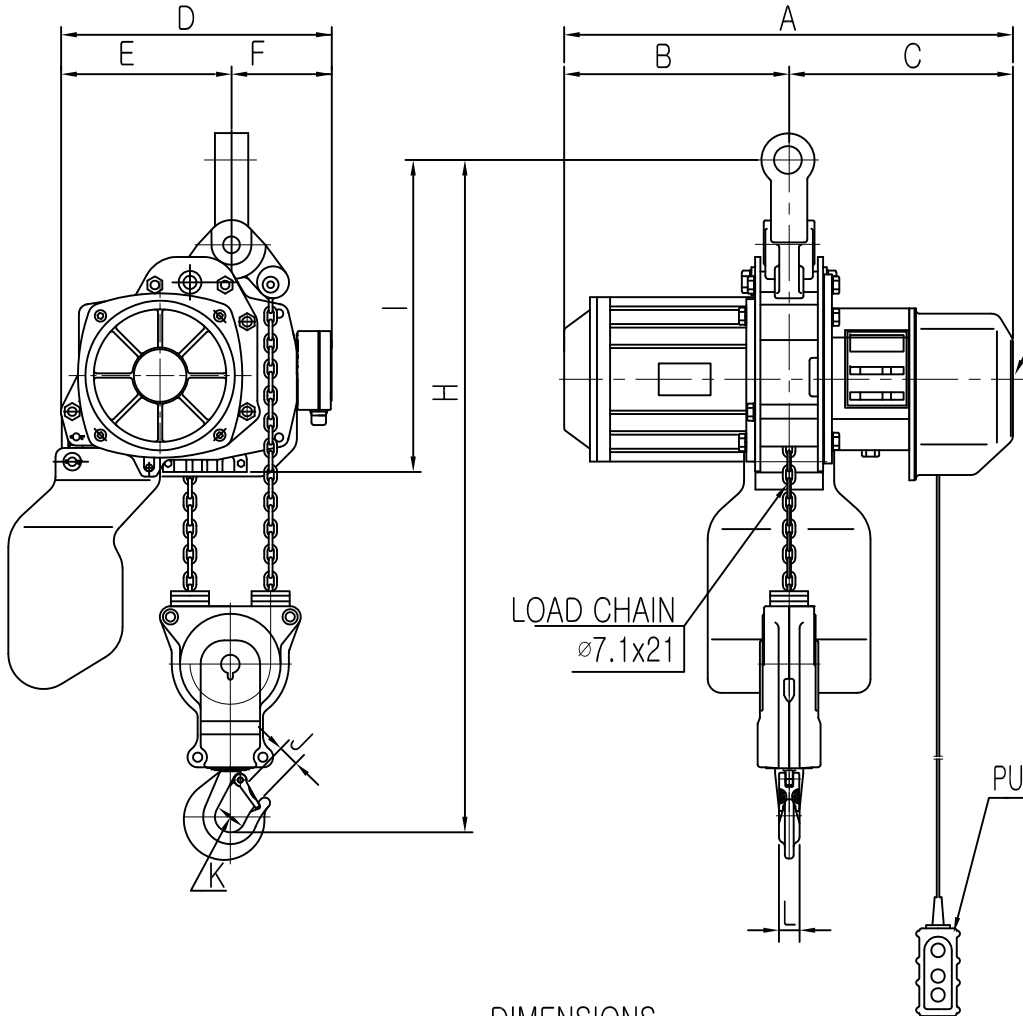
# L K HOIST

NO	DESCRIPTION	SIZE	MAT' L	Q' TY	WT (kg)	REMARKS

제조일 : 0000-00-00  
 형식번호 : 00-000-00  
 정격하중 : 00-000-00  
 제조자 : (주)LK

## SPECIFICATION

		LTS-2W
RATED LOAD	(TON)	2
TESTING LOAD	(TON)	2.5
LIFTING HEIGHT	(M)	50
HOISTING	SPEED (M/MIN)	3.25
	MOTOR (KW)	1.5 x 4p
WEIGHT	(KG)	165
POWER SUPPLY		AC220 V x 1φ x 60Hz
OPERATING METHOD		P.B type ON . FL
LOAD CHAIN		φ7.1 X 21 (2FALL)



## DIMENSIONS

MODEL	CAPACITY (ton)	A	B	C	D	E	F	H	I	J	K	L
LTS-2W	2	535	262	273	336	181	155	670	438	40	53.5	30

## NOTE)

- 1) 점검 설비를 갖출 것
- 2) 인허가 서류를 완성검사시 제출 할 것

TITLE					PROJECTION	
<b>CHAIN HOIST LTS-2W</b>						
WORK NO	WORK NAME				SCALE	Q' TY
	CONNECTOR TYPE				N S	1
DRAWN	CHECKED	REVIEWED	APPROVED	DRAWING NO		
김 창 기						
2010.07.15						

REV.NO	DATE	REVISION	DESCRIPTION	DRAWN	CHECKED	APPROVED

ON ㉸MD

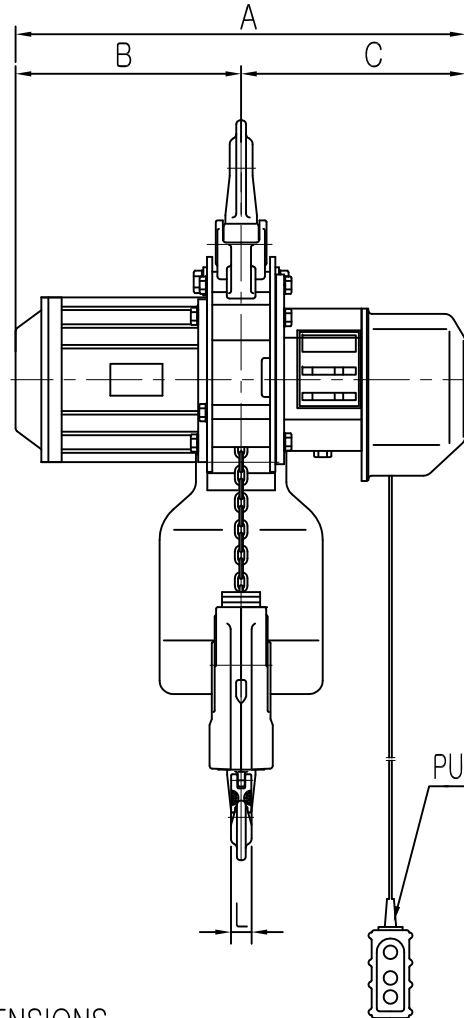
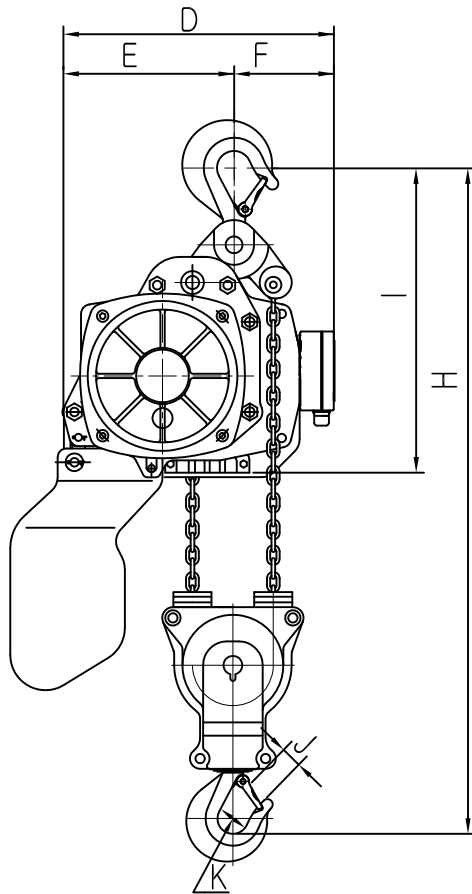
# L K HOIST

NO	DESCRIPTION	SIZE	MAT' L	Q' TY	WT (kg)	REMARKS

제조일 : 0000-00-00  
 형식번호 : 00-000-00  
 정격하중 : 00-000-00  
 제조자 : (주)LK

## SPECIFICATION

		LTS-2W
RATED LOAD	(TON)	2
TESTING LOAD	(TON)	2.5
LIFTING HEIGHT	(M)	50
HOISTING	SPEED (M/MIN)	3.25
	MOTOR (KW)	1.5 x 4p
WEIGHT	(KG)	165
POWER SUPPLY		AC220 V x 1 $\phi$ x 60Hz
OPERATING METHOD		P.B type ON . FL
LOAD CHAIN		$\phi$ 7.1 X 21 (2FALL)



## DIMENSIONS

MODEL	CAPACITY (ton)	A	B	C	D	E	F	H	I	J	K	L
LTS-2W	2	535	262	273	336	181	155	670	438	40	53.5	30

## NOTE

- 1)점검 설비를 갖출 것
- 2)인허가 서류를 완성검사시 제출 할 것

TITLE					PROJECTION	
<b>ELECTRIC CHAIN HOIST LTS-2W</b>						
WORK NO	WORK NAME				SCALE	Q' TY
	HOOK TYPE				N S	1
DRAWN	CHECKED	REVIEWED	APPROVED	DRAWING NO		
김 창 기						
2010.07.15						
<b>L K HOIST CO., LTD.</b>						

REV.NO	DATE	REVISION	DESCRIPTION	DRAWN	CHECKED	APPROVED