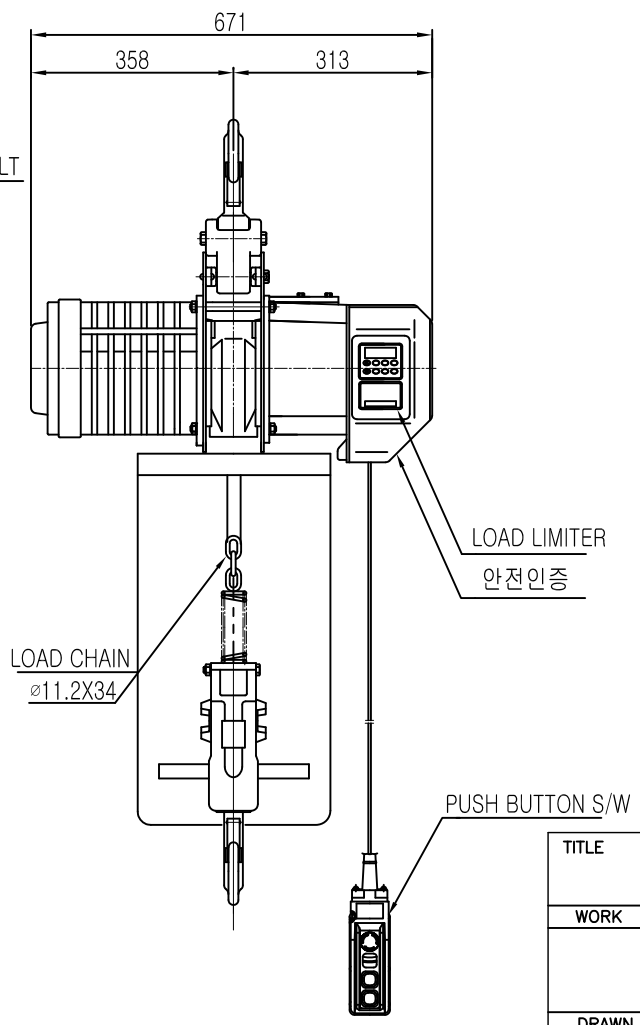
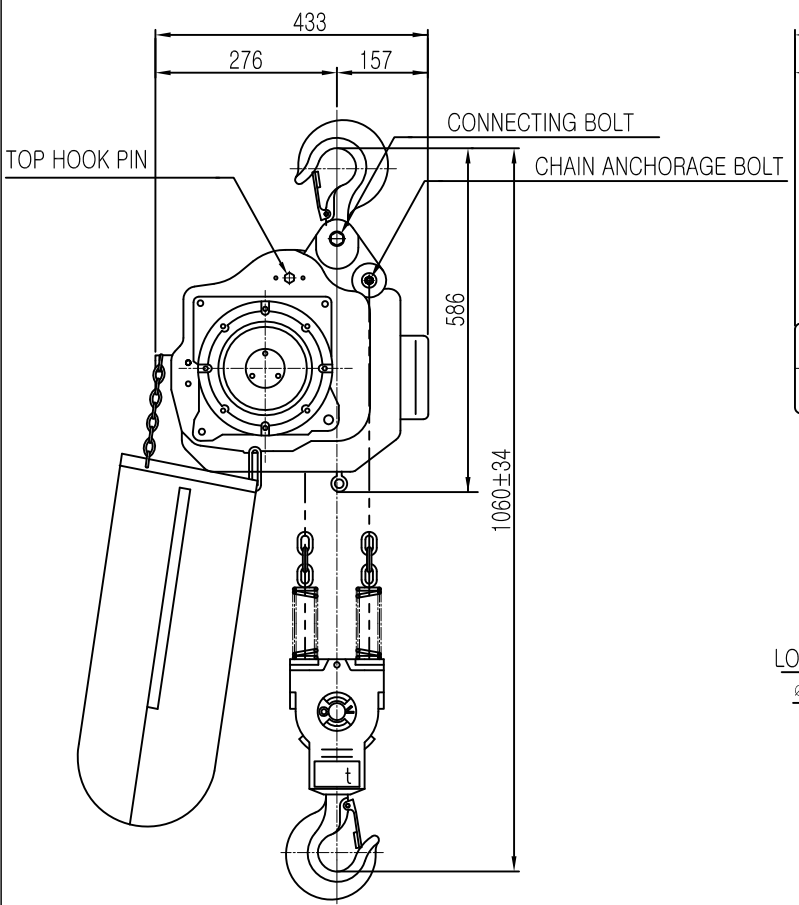


ON 5MD

# L K HOIST

NO	DESCRIPTION	SIZE	MAT' L	Q' TY	WT (kg)	REMARKS



SPECIFICATION		
HOISTING LOAD	5	TON
TESTING LOAD	6.25	TON
LIFTING HEIGHT	60	M
HOISTING	SPEED	3.25 M/MIN
	MOTOR	3.5 KW x 1 SET
TRAVERSING	SPEED	- M/MIN
	MOTOR	- KW x - SET
POWER SUPPLY	AC220,380,440,460,480 V x 3ø x 60 Hz	
OPERATING METHOD	P.B type ON . FL	
LOAD CHAIN	ø11.2 x 34 (2 FALL)	
WIEGHT	463 KG	

NOTE)  
 1) 점검 설비를 갖출것.  
 2) 인허가 서류를 완성검사시 제출할것.

TITLE				PROJECTION	
DAH-5WELECTRIC CHAIN HOIST					
WORK NO	WORK NAME			SCALE	Q' TY
	HOOK TYPE			N S	1
DRAWN	CHECKED	REVIEWED	APPROVED	DRAWING NO	
김 창 기					
2010.07.27					

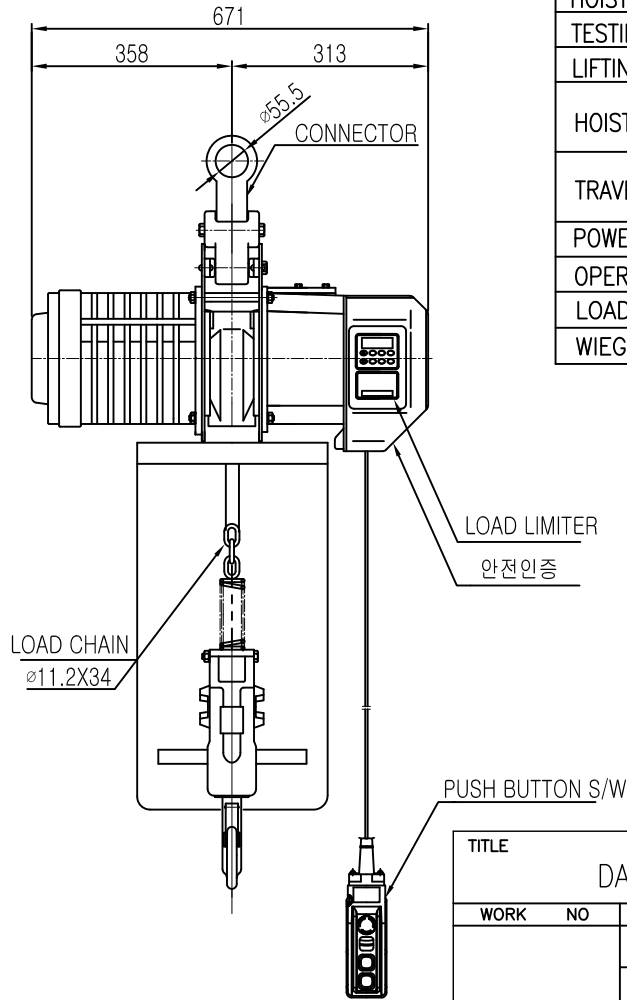
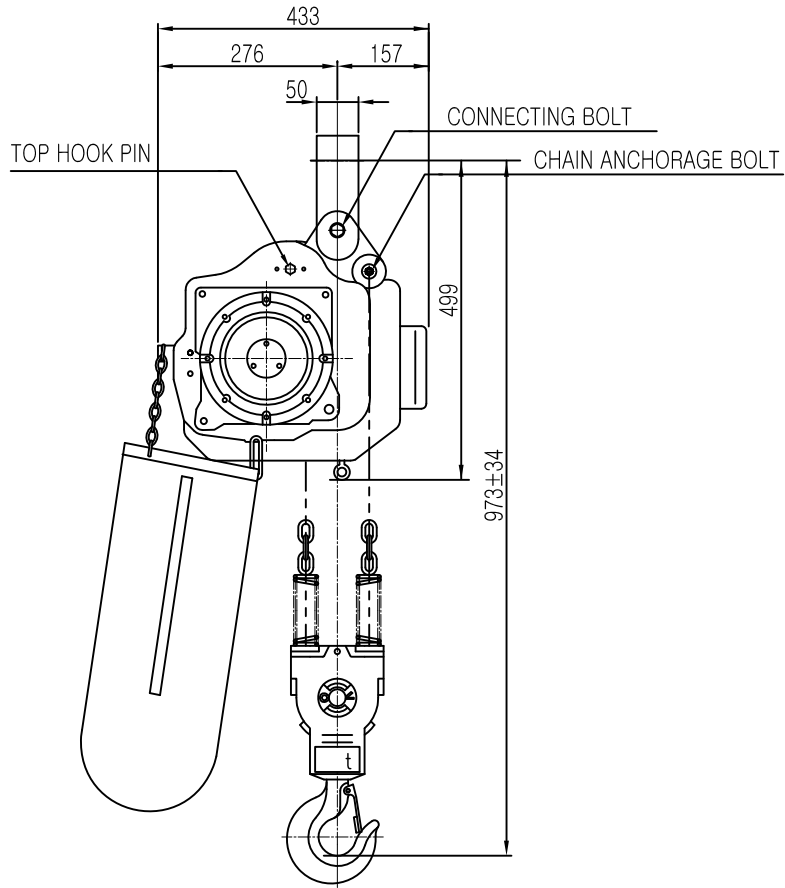
REV.NO	DATE	REVISION	DESCRIPTION	DRAWN	CHECKED	APPROVED

L K HOIST CO., LTD.

ON 5MD

# L K HOIST

NO	DESCRIPTION	SIZE	MAT' L	Q' TY	WT (kg)	REMARKS



SPECIFICATION		
HOISTING LOAD	5 TON	
TESTING LOAD	6.25 TON	
LIFTING HEIGHT	60 M	
HOISTING	SPEED	3.25 M/MIN
	MOTOR	3.5 KW x 1 SET
TRAVERSING	SPEED	- M/MIN
	MOTOR	- KW x - SET
POWER SUPPLY	AC220,380,440,460,480 V x 3 $\phi$ x 60 Hz	
OPERATING METHOD	P.B type ON . FL	
LOAD CHAIN	$\phi 11.2 \times 34$ (2 FALL)	
WIEGHT	463 KG	

NOTE)

- 1) 점검 설비를 갖출것.
- 2) 인허가 서류를 완성검사시 제출할것.

TITLE				PROJECTION	
DAH-5W ELECTRIC CHAIN HOIST					
WORK NO	WORK NAME			SCALE	Q' TY
	CONNECTOR TYPE			N S	1
DRAWN	CHECKED	REVIEWED	APPROVED	DRAWING NO	
김 창 기					
2010.07.27					

REV.NO	DATE	REVISION	DESCRIPTION	DRAWN	CHECKED	APPROVED

**LK** L K HOIST CO., LTD.